

4

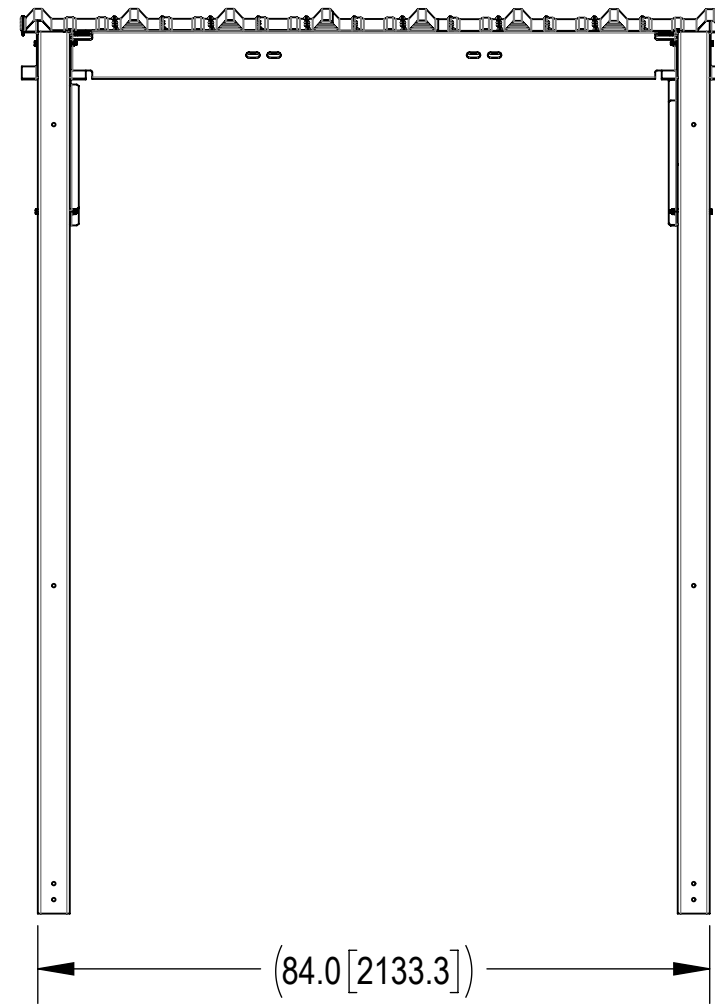
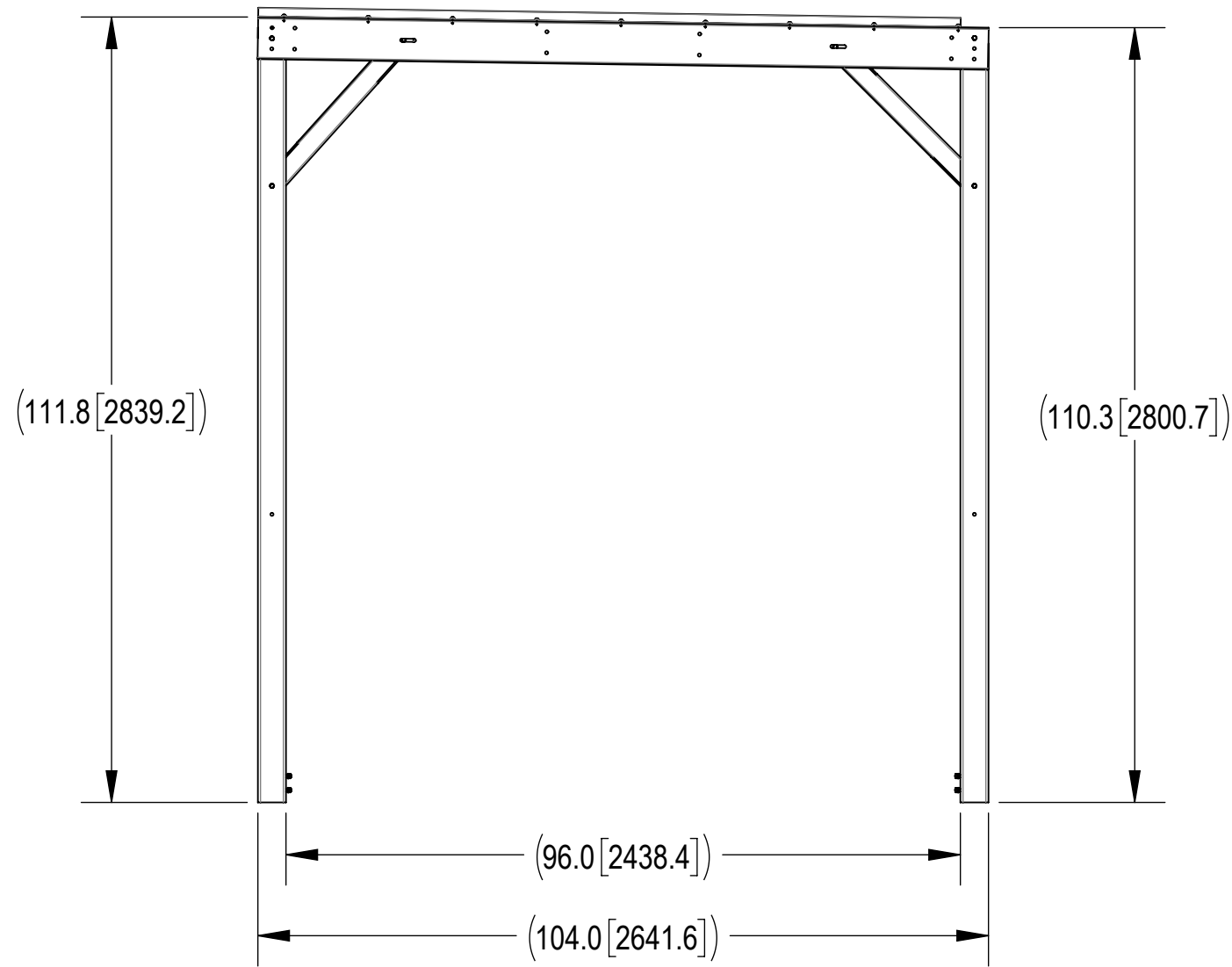
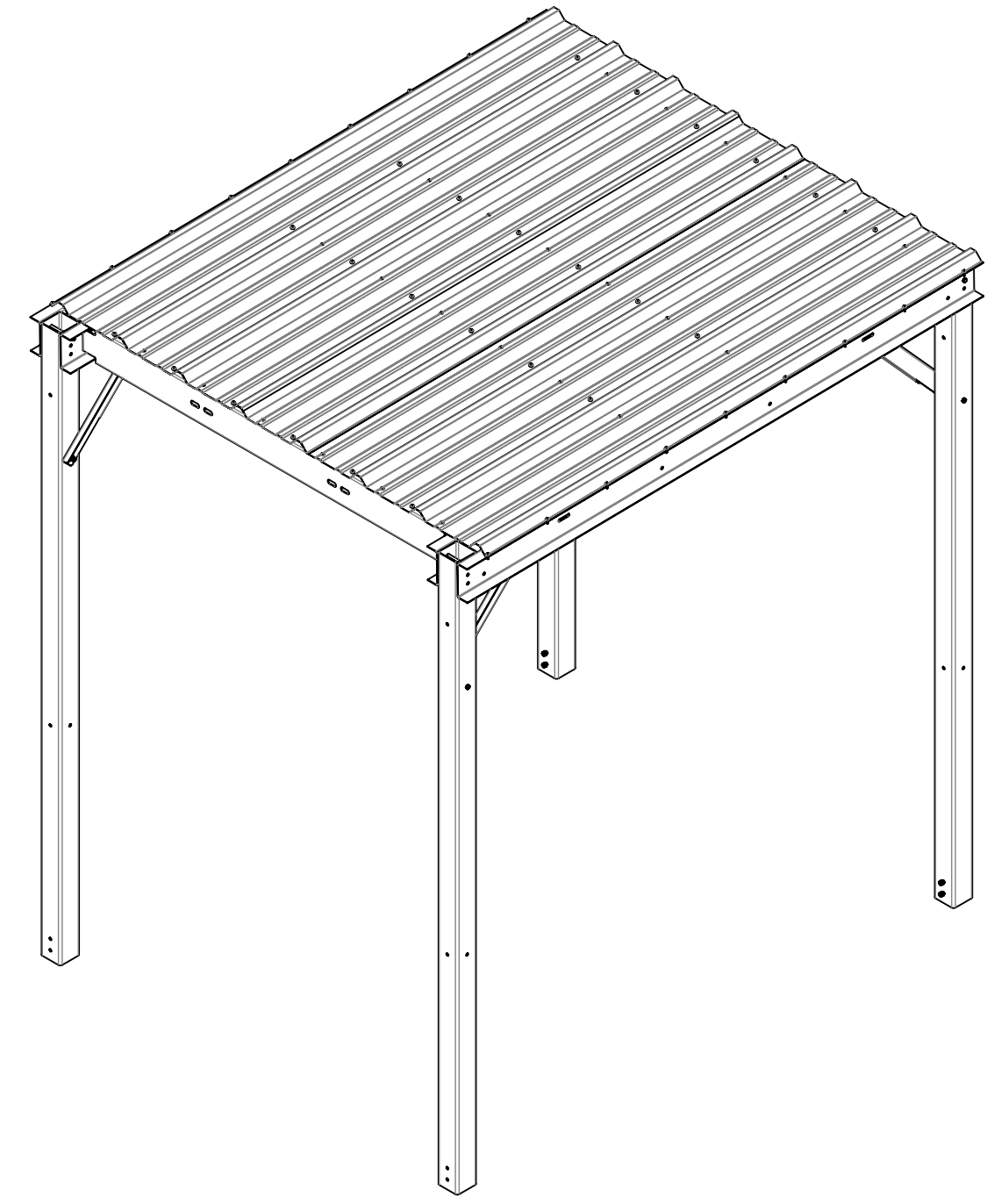
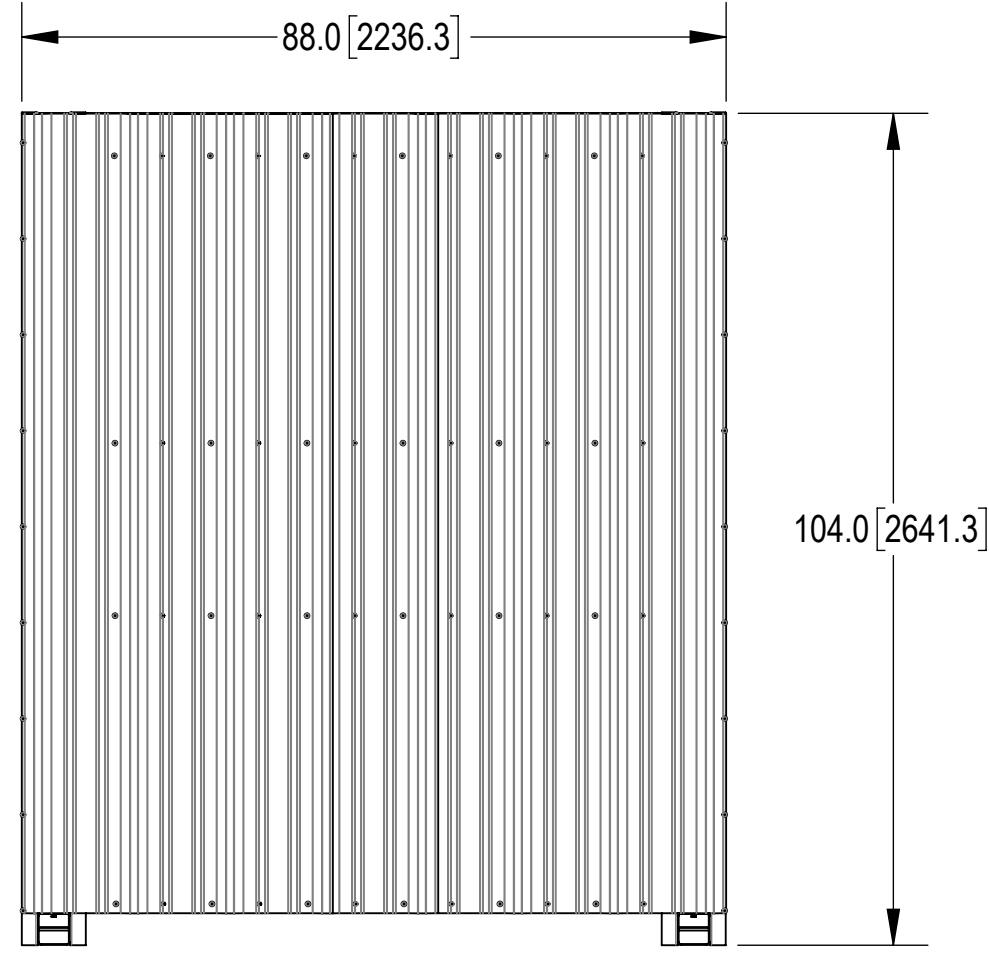
3

2

1

- 1.0 GENERAL NOTES
 1.1 ALL METRIC DIMENSIONS ARE IN BRACKETS [X. X]
 1.2 FOR PATENT INFO: <https://www.adwpat.com>
 2.0 DESIGN NOTES
 3.0 MANUFACTURING/SPECIAL REQUIREMENTS
 3.1 TIGHTEN ALL BOLTS 3/8" OR LARGER SECURING FLAT PLATES SNUG TIGHT. TIGHTEN ALL U-BOLTS/THREADED RODS SNUG TIGHT, WITH ATTENTION TO LEAVE EQUAL DISTANCE AND EQUAL FORCE ON EACH LEG OF U-BOLT/THREADED ROD.
 3.2 SNUG TIGHT IS DEFINED AS THE CONDITION OBTAINED WITH A FEW IMPACTS OF AN IMPACT WRENCH OR THE FULL EFFORT OF AN INSTALLER USING AN ORDINARY SPUD WRENCH TO BRING THE CONNECTED LAYERS (PLIES) OF STEEL INTO FULL CONTACT.
 3.3 FOR BOLTS IN A PATTERN, TIGHTEN IN A CRISS-CROSS OR STAR SEQUENCE, INCREASING TORQUE IN GRADUAL STEPS UNTIL SNUG TIGHT.
 4.0 TEST
 5.0 PACKAGING
 5.1 PACKAGING SHALL MEET ANDREW REQUIREMENTS PER DOCUMENT IS-PL-3005
 5.2 PRINTED DOCUMENT TO BE PLACED INSIDE POLYBAG AND THEN IN SHIPPING CONTAINER
 5.3 EXTRA HARDWARE MAY BE SUPPLIED, BAGGED AND SHIPPED

REVISIONS			
REV.	DESCRIPTION	DATE	APPROVED
A	INITIAL RELEASE	MRC 09JUL18	
B	ADDED SHEETS AND VIEWS FOR ASSY CLARITY	RJC 19NOV18	
C	ADDED CONSTRUCTION NOTES	RJC 05DEC18	MC1107
D	UPDATED DRAWING FORMAT TO NEW	LL1090 05DEC25	BA1025 50106106AMO



COMPONENT PART NUMBERS PROVIDED FOR ASSEMBLY PURPOSES;
 INDIVIDUAL COMPONENTS MAY BE SHIPPED AS PARTS WITHIN AN INCLUDED KIT.

ITEM	PART NO.	DESCRIPTION	QTY.	WEIGHT	NOTE NO.
1	MTC4037C10	POST, 4 X 4 X 110.25	4	56 LBS	
2	MTC4037C11	CHANNEL FORMED CANOPY END, 8' PLAT	4	33.52 LBS	
3	MTC4037C12	CHANNEL FORMED CANOPY, 8' PLATFORM	4	22.78 LBS	
4	MTC3813C14	CANOPY BRACE, 11 GA, 30"	4	4.18 LBS	
5	RDR2636100	ROOF DECKING PBR 26 GA 36" X 100"	3	29.54 LBS	
6	GB-03105	3/8" X 1" GALV BOLT KIT	28	0.05 LBS	
7	GWF-03	3/8" GALV FLAT WASHER	8	0.01 LBS	
8	GB-03505	3/8" X 5" GALV BOLT KIT	8	0.17 LBS	
9	TS1275	TEK SCREW #12 X 3/4, WITH NEOPRENE WASHER	66	0.02 LBS	

DENSITY		lbs/in ³
MASS	558.65	lbs
VOLUME	1979.68	in ³
SURFACE AREA	54115.36	in ²
HEIGHT	113"	
LENGTH	104"	
WIDTH	88"	

ANDREW® an Amphenol company

TOLERANCES
 0 PLACE X[X] ± .25[6.3] 2 PLACE .XX[X] ± 0.06[1.5]
 1 PLACE .X[X] ± 0.12[3.0] ANGLES ± 2°

SAP MATERIAL MASTER
MTC4037CR

FINISH: _____ MATERIAL: _____

NAME	DATE	TITLE
CE MRC	06/26/18	8'X8' EQUIP PLATFORM RAIN SHADE CANOPY
RW LL1090	12/09/2025	
AD YMENG	12/12/2025	
RE YMENG	12/12/2025	

SCALE: **1:24** DOCUMENT NO.: **MTC4037CR**

ECN 50106106AMO

SIZE	Auth Group	INSL	MODEL	DRAWING			SHEET		
C			VERSION	STATUS	REVISION	VERSION	STATUS	REVISION	1 OF 6
			04	RE	C	04	RE	D	

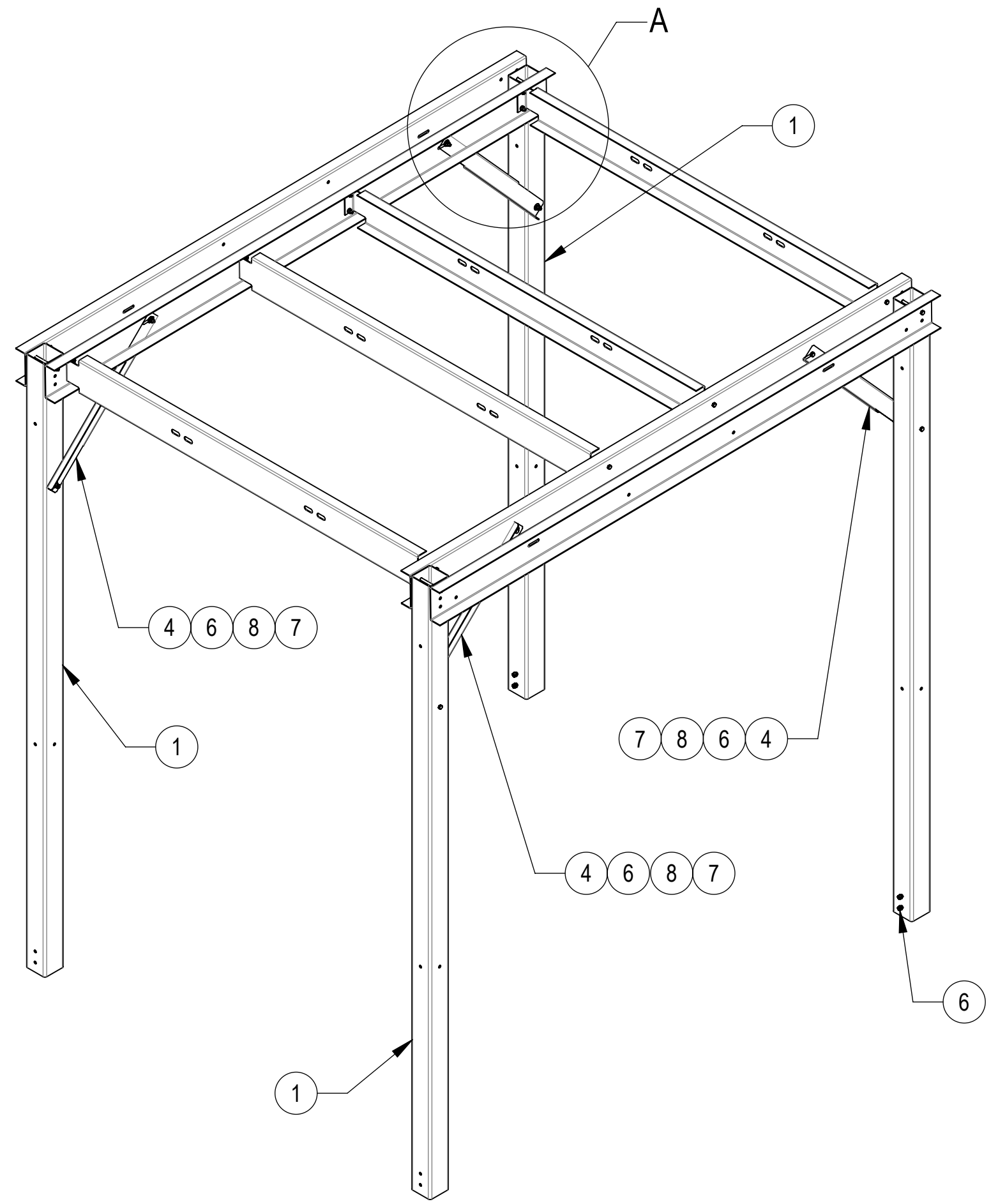
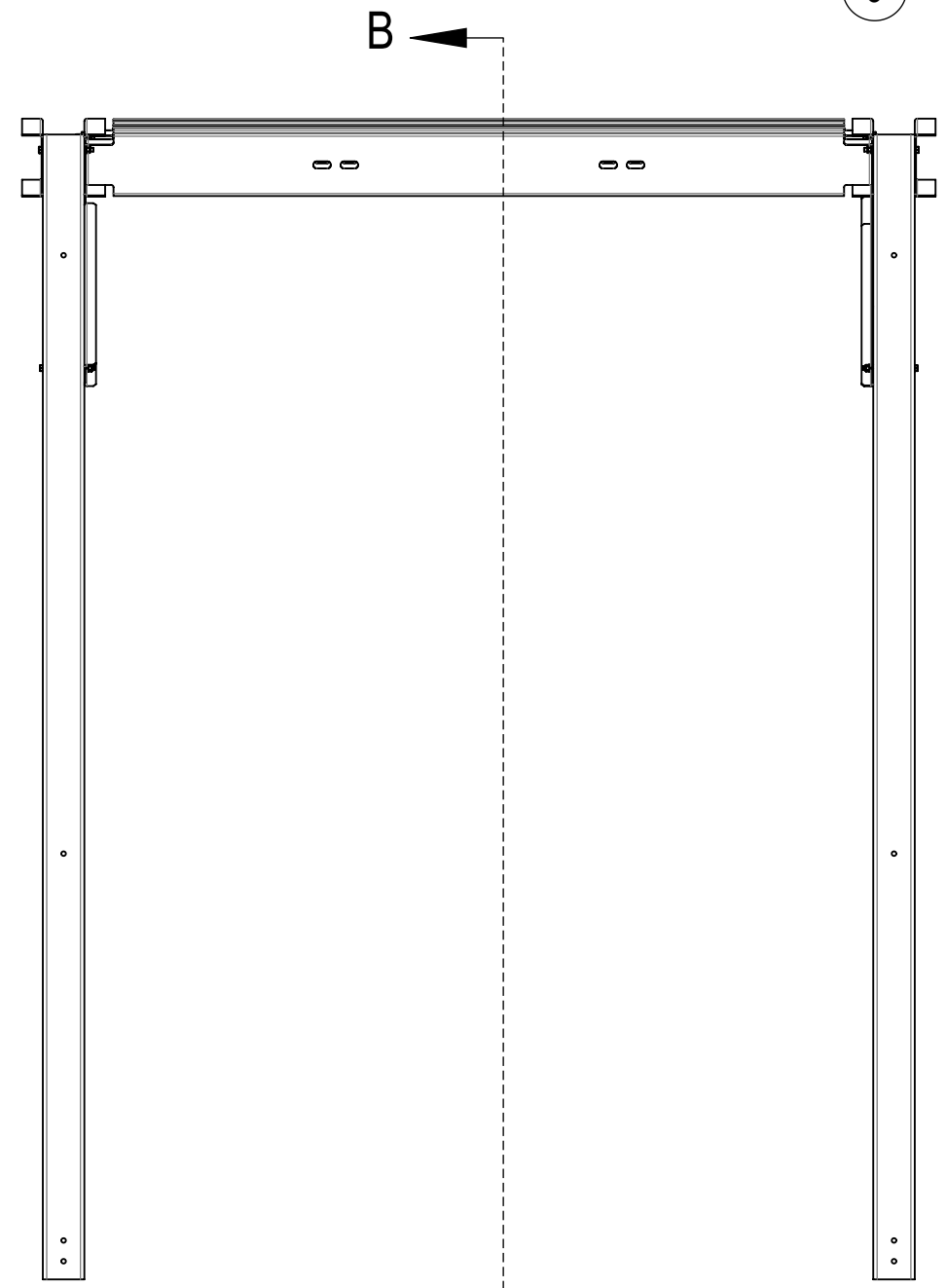
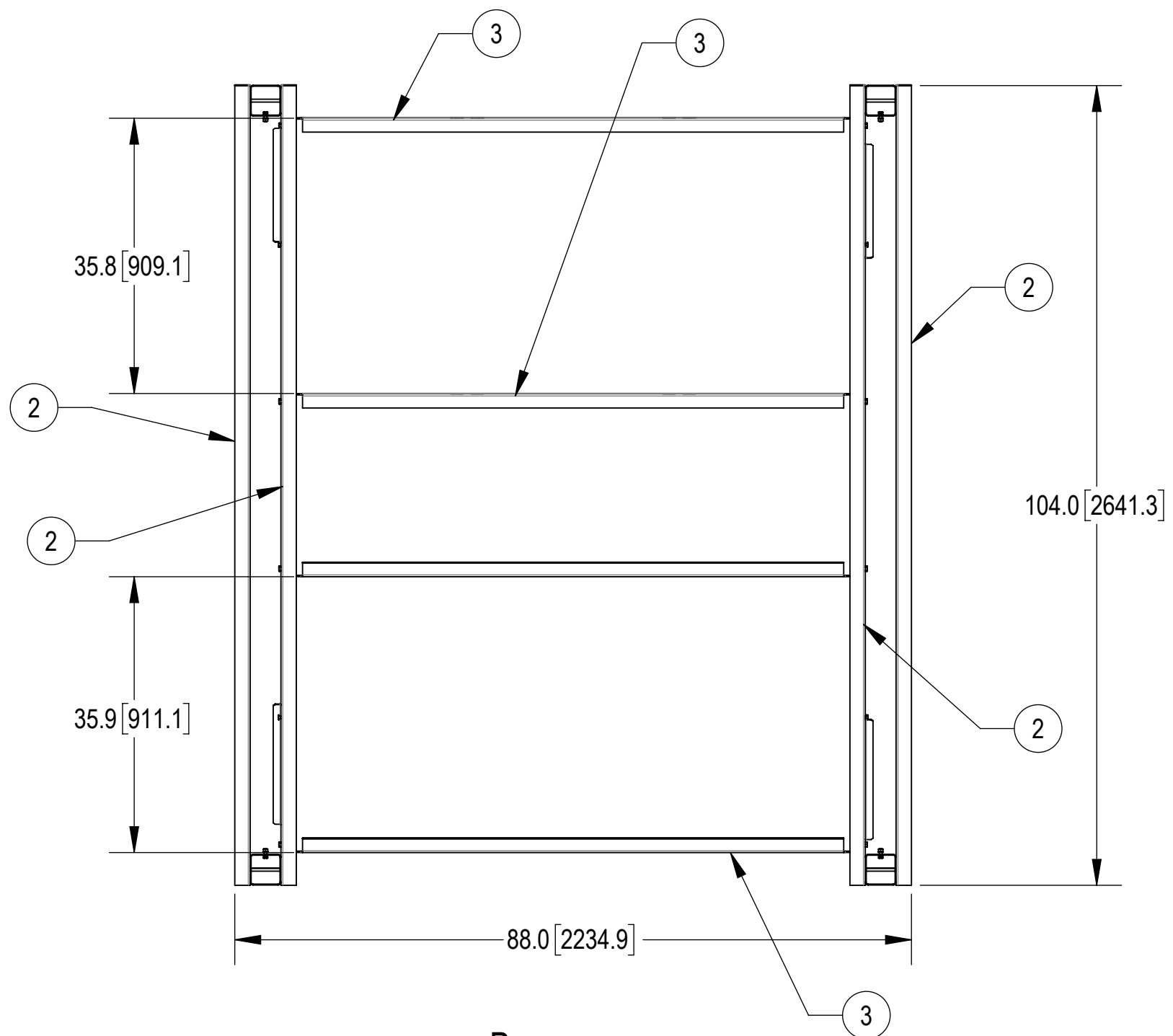
Confidential



4

3

2

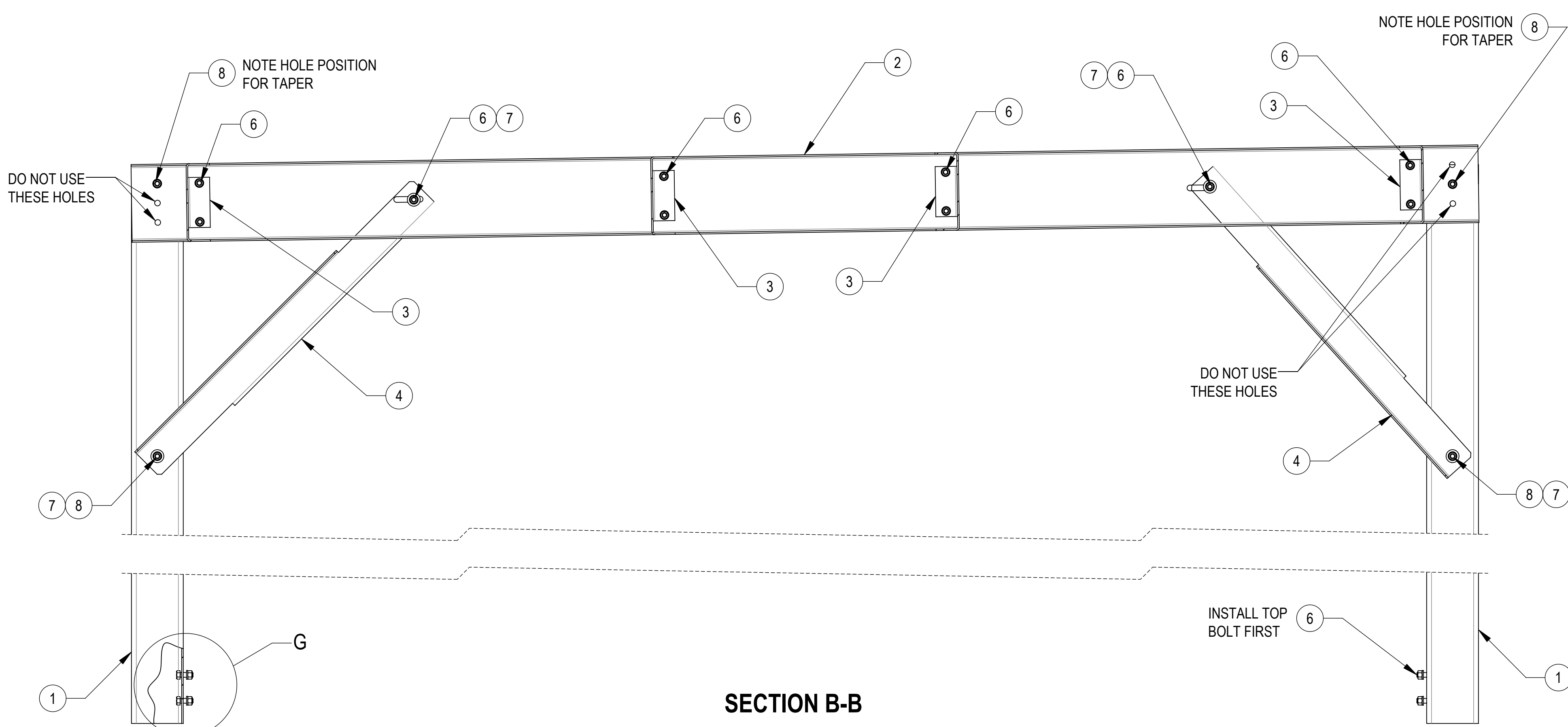
1



											
TITLE 8'X8' EQUIP PLATFORM RAIN SHADE CANOPY											
SIZE C	SCALE 1:18	DOCUMENT NO. MTC4037CR									
		DRAWING <table border="1"> <thead> <tr> <th>VERSION</th> <th>STATUS</th> <th>REVISION</th> <th>SHEET</th> </tr> </thead> <tbody> <tr> <td>04</td> <td>RE</td> <td>D</td> <td>2 OF 6</td> </tr> </tbody> </table>		VERSION	STATUS	REVISION	SHEET	04	RE	D	2 OF 6
VERSION	STATUS	REVISION	SHEET								
04	RE	D	2 OF 6								

Confidential

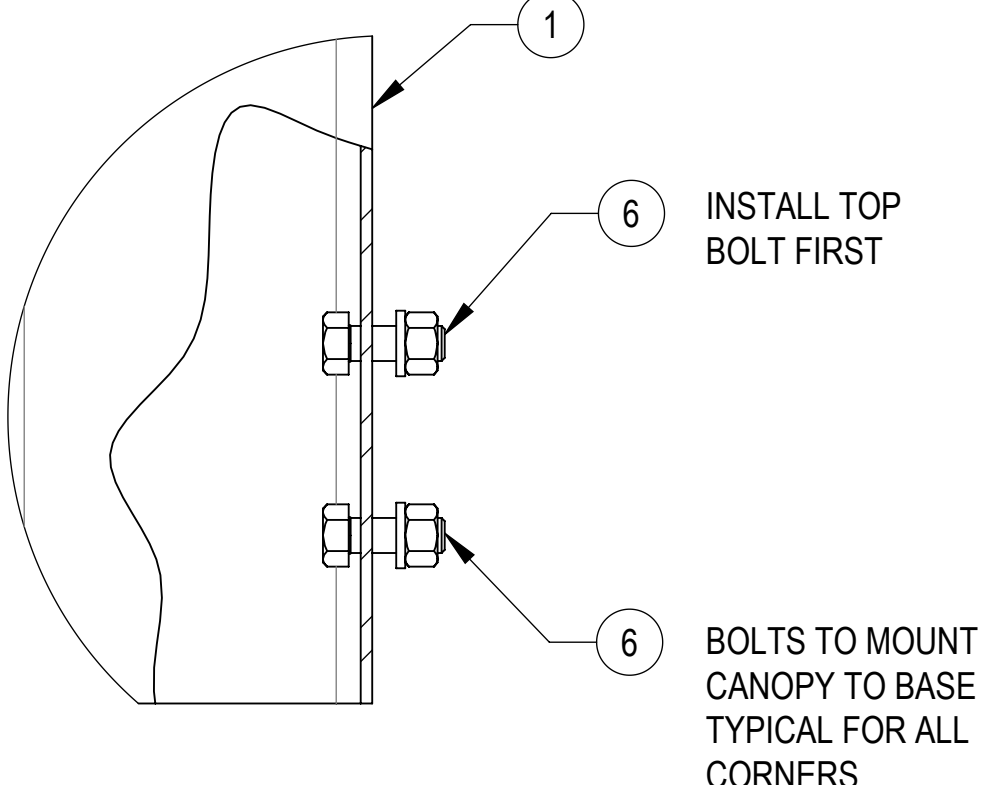
THIS DESIGN SHOWS THE CANOPY TAPERS DOWN TOWARD THE BACK AWAY FROM THE STEPS.



SECTION B-B

BACK LEG



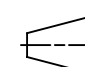
FRONT LEG



DETAIL G
SCALE 1 : 2

INSTALL TOP BOLT FIRST

BOLTS TO MOUNT CANOPY TO BASE TYPICAL FOR ALL CORNERS

 ANDREW an Amphenol company				
TITLE 8'X8' EQUIP PLATFORM RAIN SHADE CANOPY				
SIZE C	SCALE 1:6	DOCUMENT NO. MTC4037CR		
 		DRAWING		SHEET 3 OF 6
		VERSION 04	STATUS RE	

Confidential

4

3

2

1

D

D

C

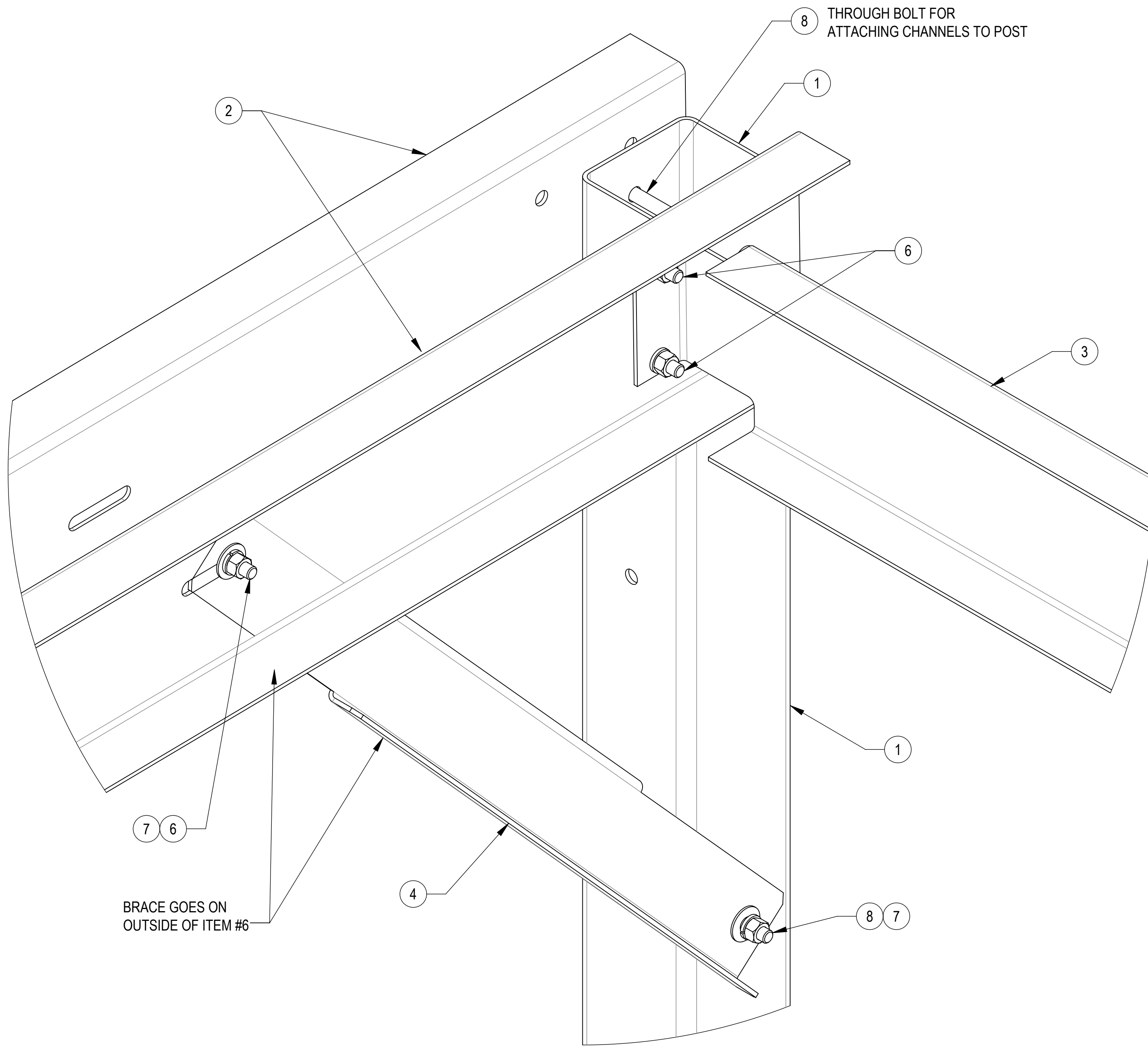
C

B

B

A

A



8 THROUGH BOLT FOR
ATTACHING CHANNELS TO POST

BRACE GOES ON
OUTSIDE OF ITEM #6

DETAIL A
SCALE 1 : 2



TITLE
8'X8' EQUIP PLATFORM RAIN SHADE CANOPY

SIZE C	SCALE 1:8	DOCUMENT NO. MTC4037CR
------------------	---------------------	---------------------------

	DRAWING			SHEET 4 OF 6
	VERSION 04	STATUS RE	REVISION D	

Confidential

4

3

2

1



4

3

2

1

D

D

C

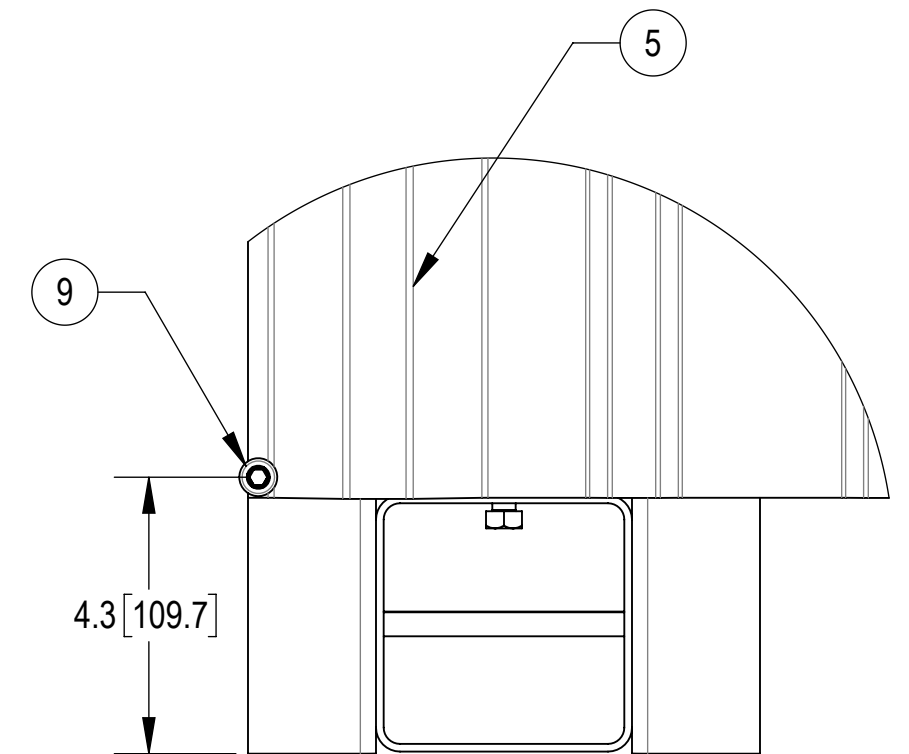
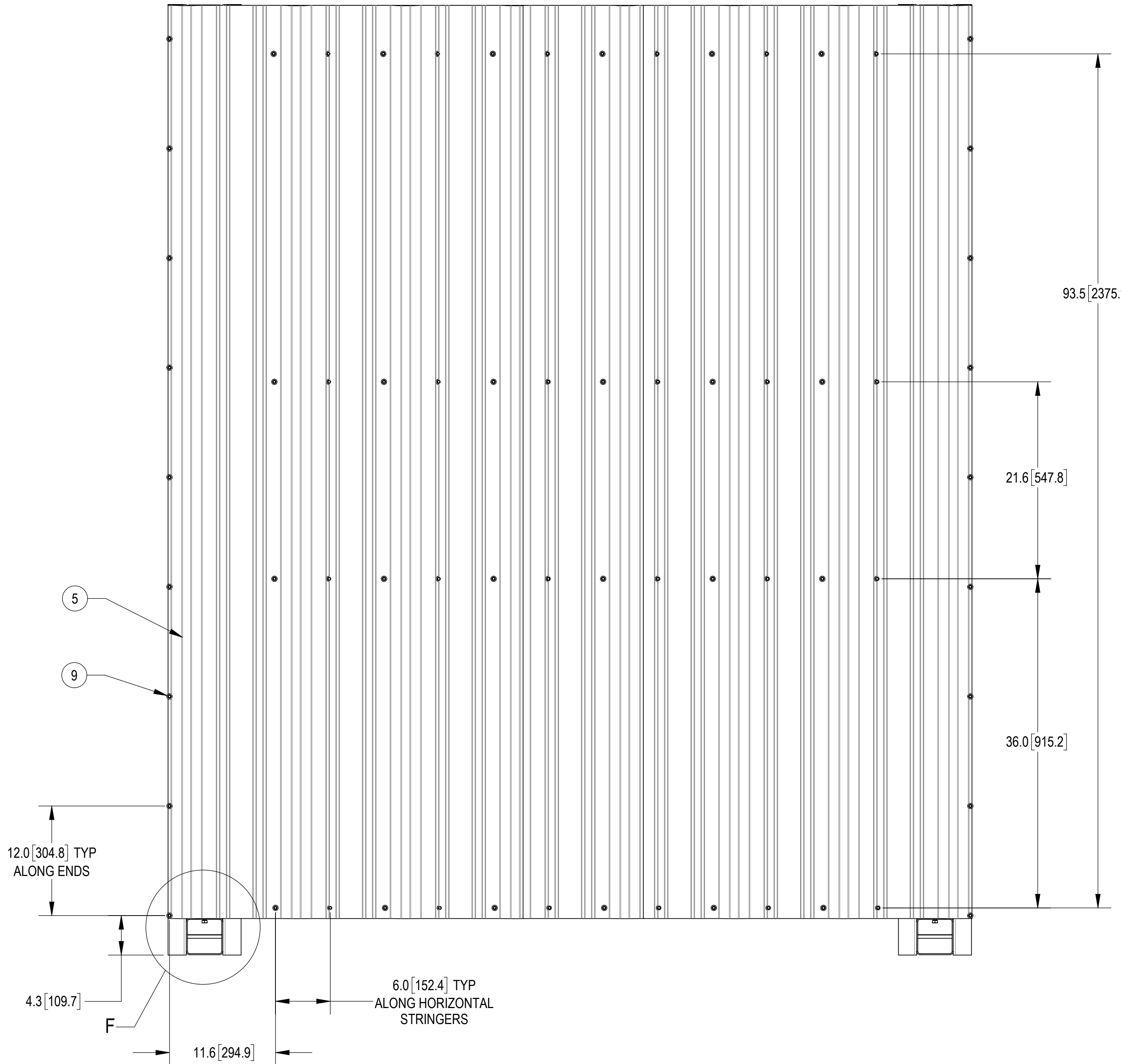
C

B



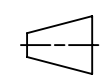
B

A

A



DETAIL F
SCALE 1 : 3

 ANDREW an Amphenol company				
TITLE 8'X8' EQUIP PLATFORM RAIN SHADE CANOPY				
SIZE C	SCALE 1:8	DOCUMENT NO. MTC4037CR		
 		DRAWING		SHEET 5 OF 6
		VERSION 04	STATUS RE	

Confidential

4

3

2

1

4

3

2

1

D

D

C

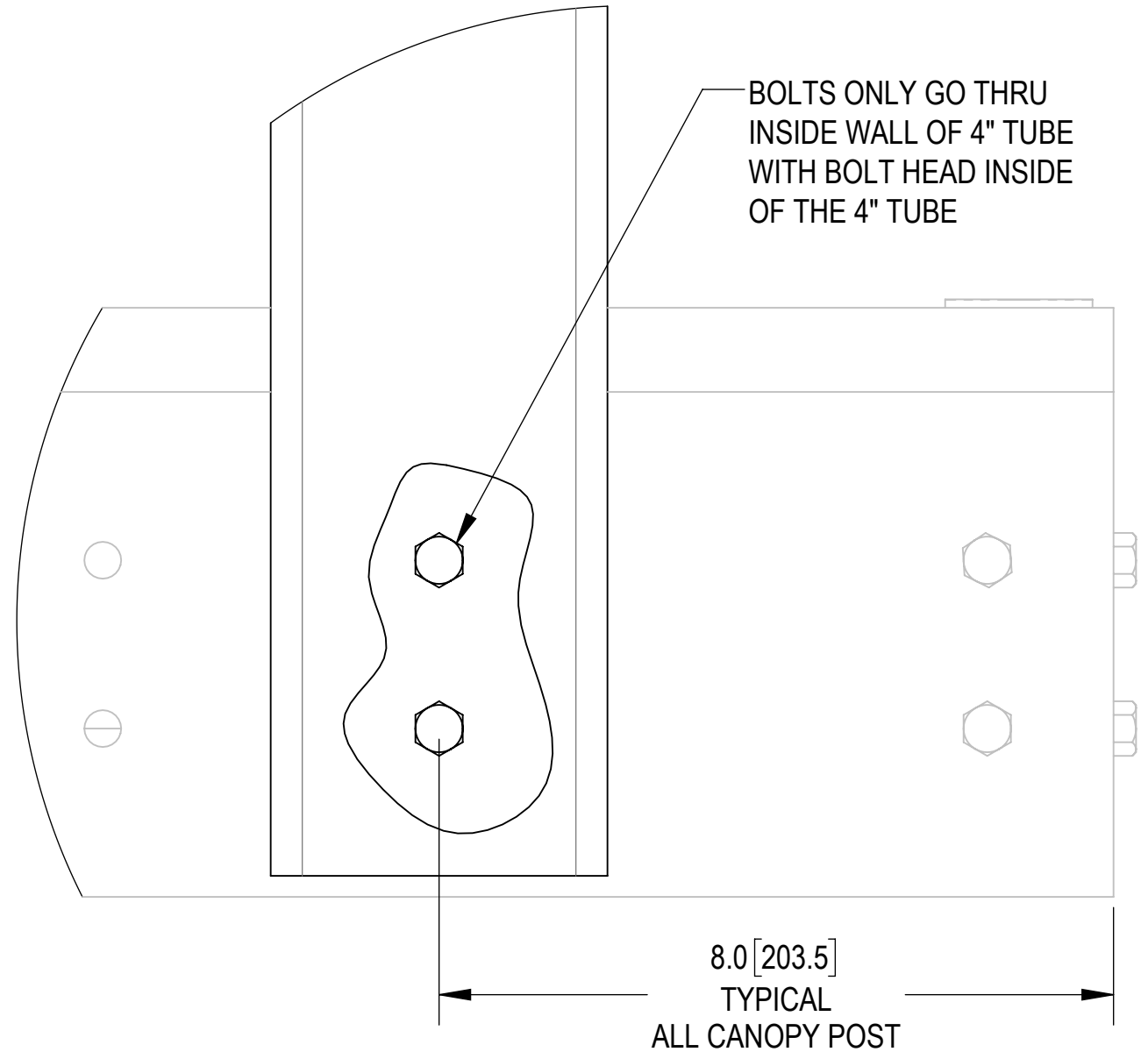
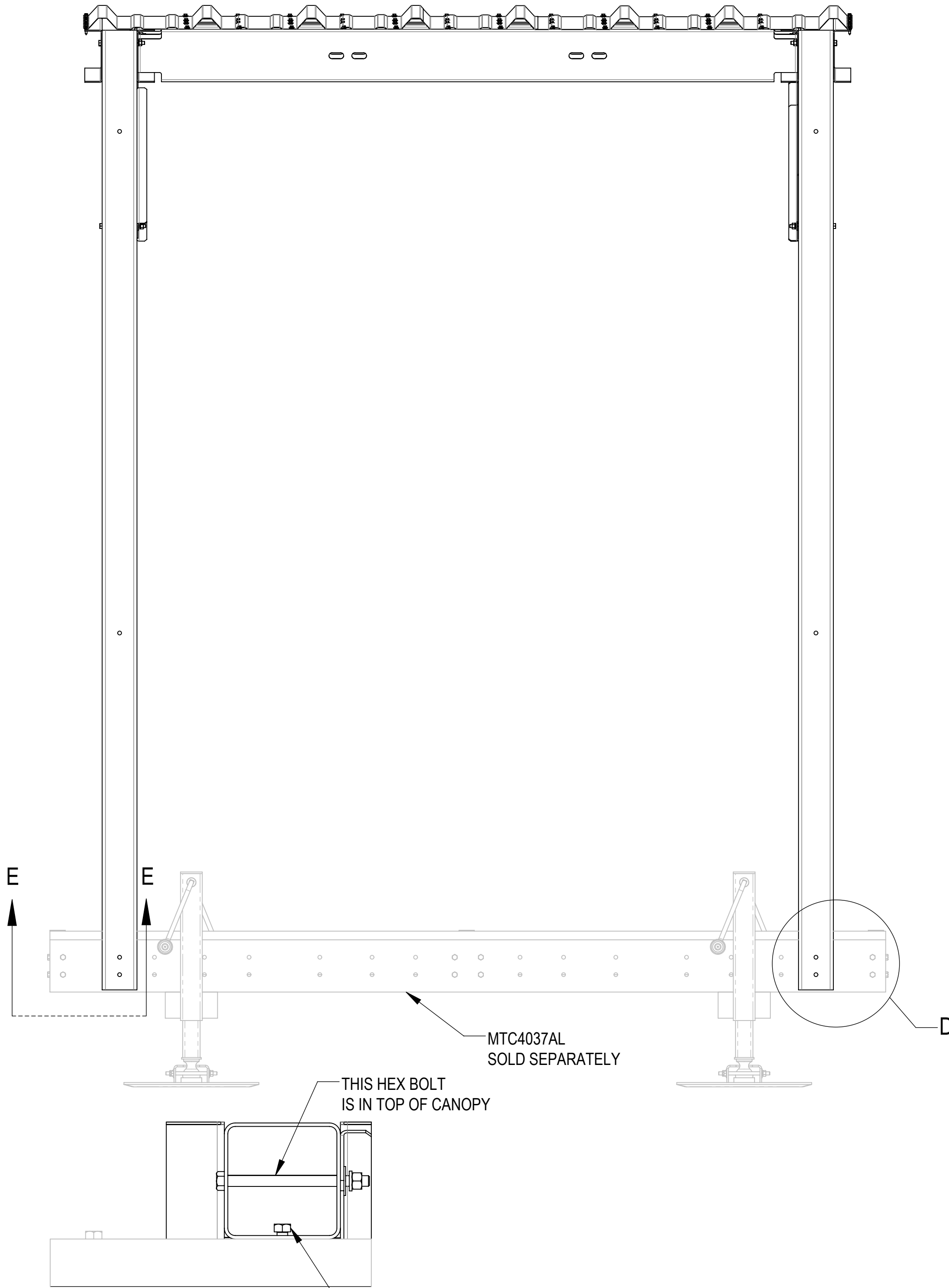
C

B

B

A

A



DETAIL D
SCALE 1 : 2

SECTION E-E
SCALE 1 : 3

MTC4037AL
SOLD SEPARATELY

THIS HEX BOLT
IS IN TOP OF CANOPY

HEX BOLT MOUNTS
CANOPY POST TO BASE
ALL FOUR POST



TITLE
8'X8' EQUIP PLATFORM RAIN SHADE CANOPY

SIZE C	SCALE 1:10	DOCUMENT NO. MTC4037CR
------------------	----------------------	----------------------------------

DRAWING			SHEET 6 OF 6
VERSION	STATUS	REVISION	
04	RE	D	

Confidential

4

3

2

1