

8

7

6

5

4

3

2

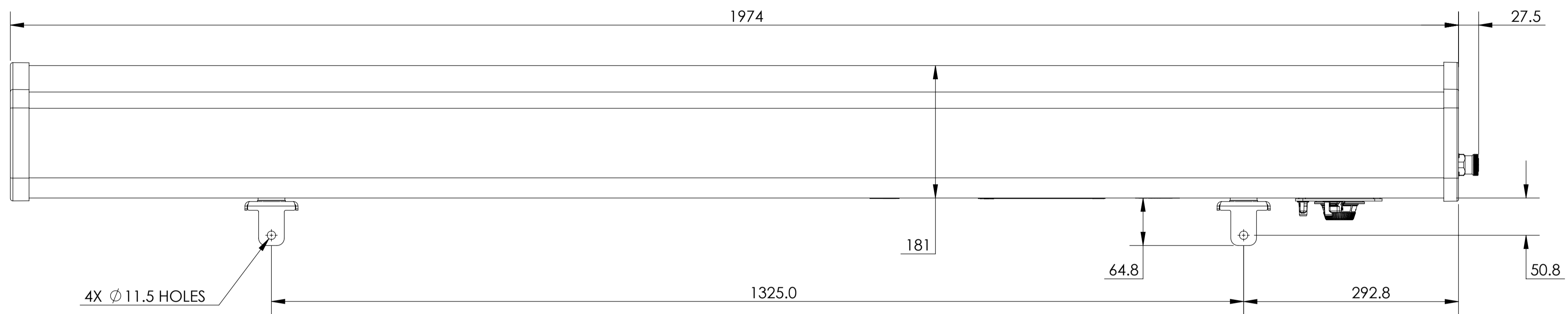
1

NOTES:

REVISION
F

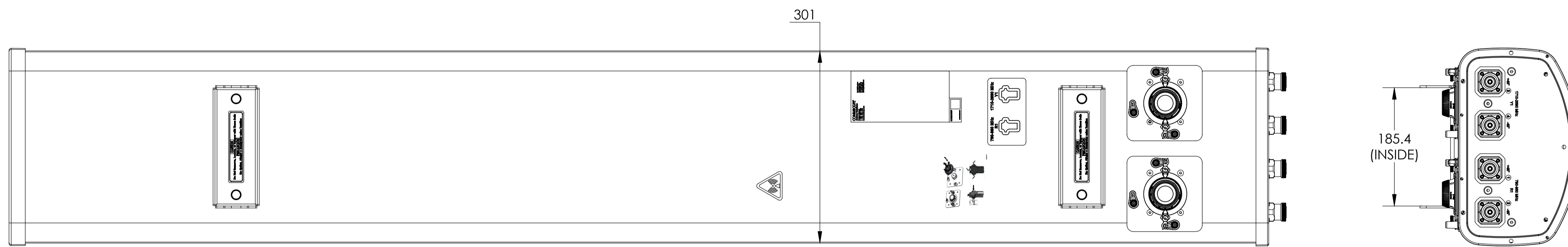
D

D



C

THIRD ANGLE PROJECTION



B

CV65BSX-M

A

A

8

7

6

THIRD ANGLE PROJECTION

3

2

1

8

7

6

5

4

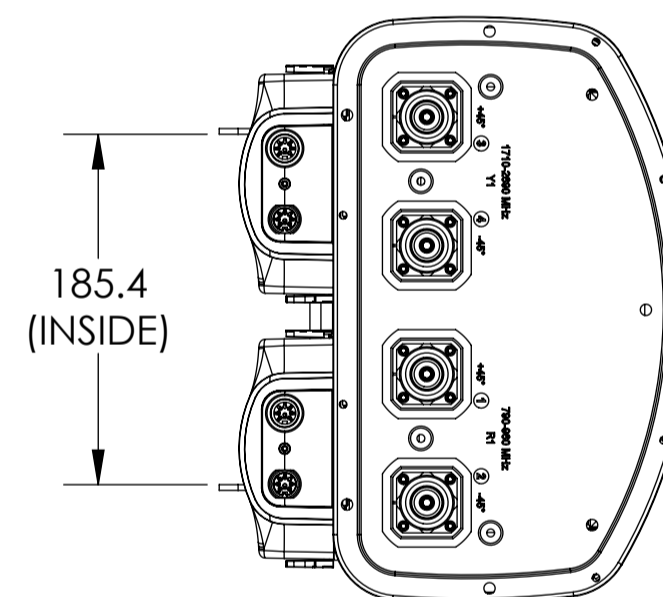
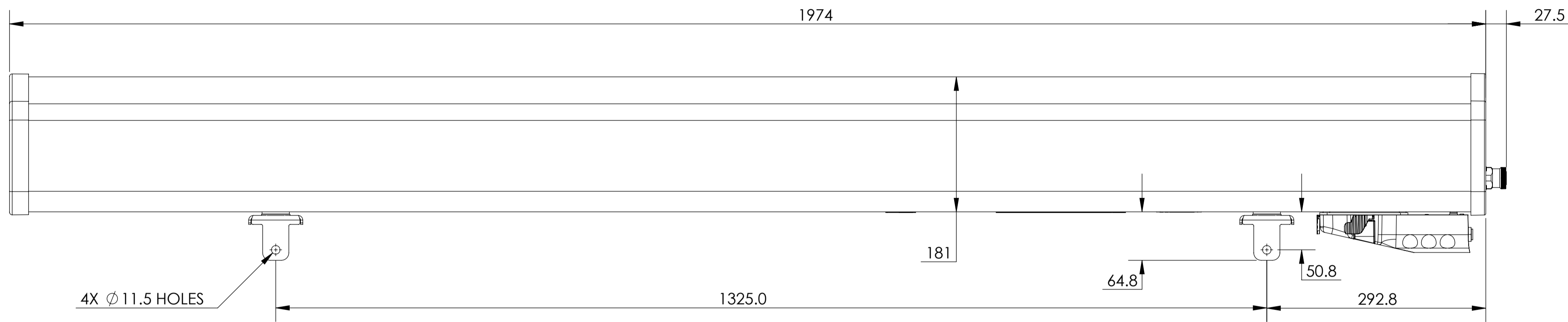
3

2

1

D

D



CV65BSX-2X2

A

A

8

7

6

THIRD ANGLE PROJECTION

3

2

1

8

7

6

5

4

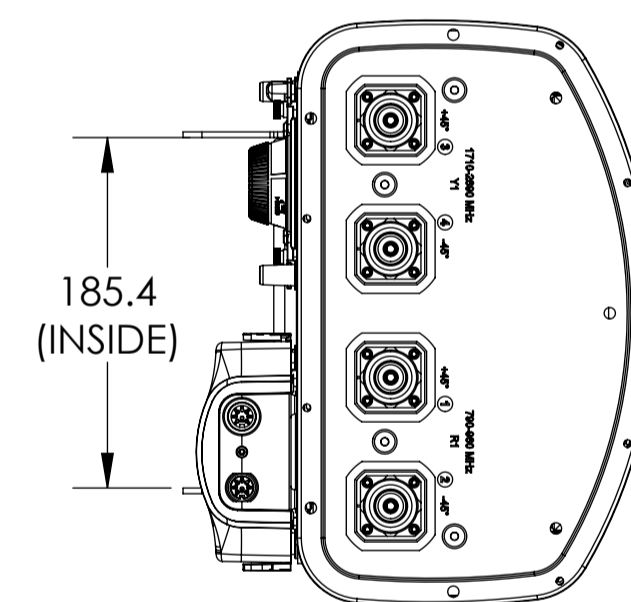
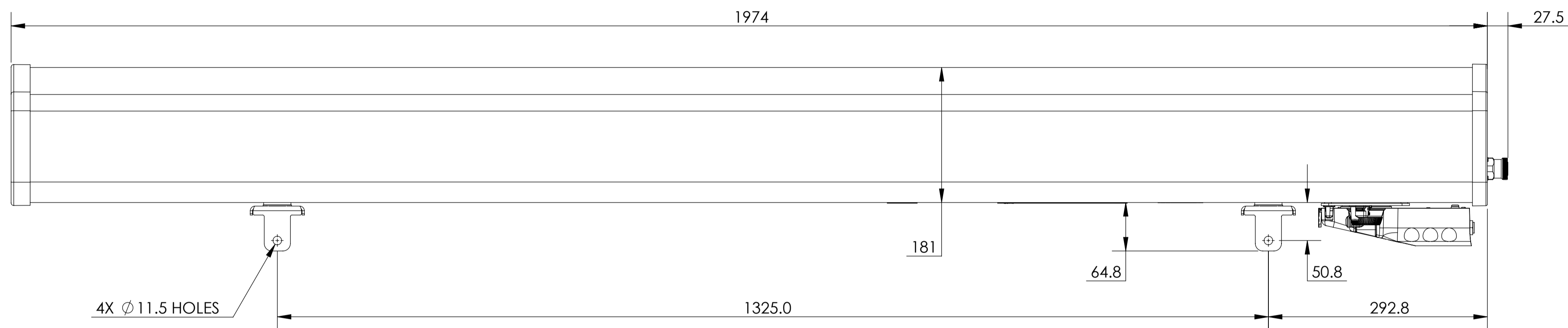
3

2

1

D

D



CV65BSX-2M

A

A

C

B

8

7

6

THIRD ANGLE PROJECTION

3

2

1

8

7

6

5

4

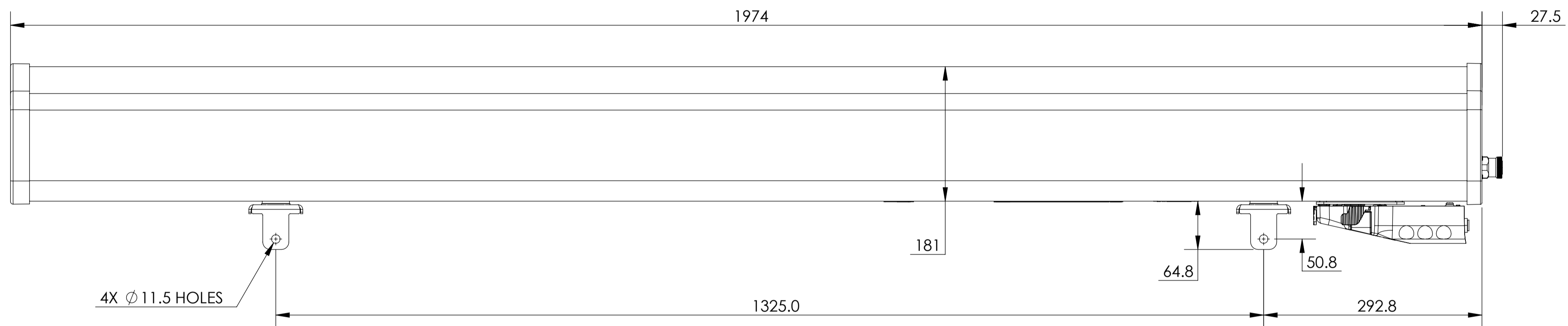
3

2

1

D

D



4X Ø11.5 HOLES

1974

27.5

181

64.8

50.8

1325.0

292.8

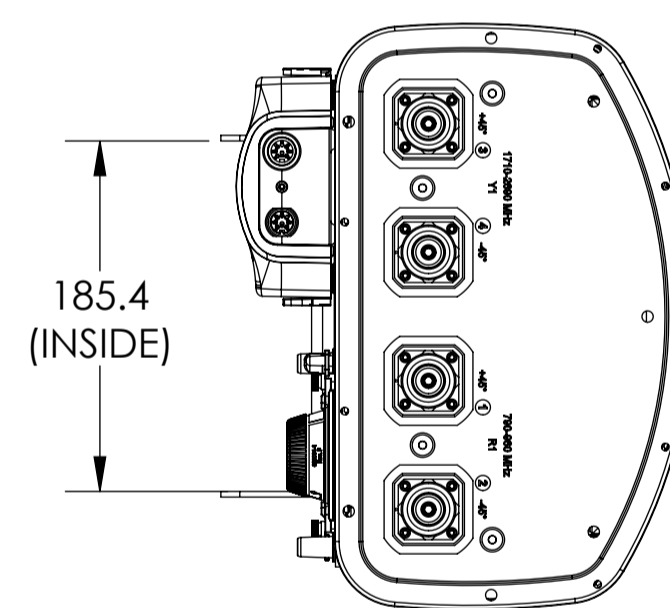
THIRD ANGLE PROJECTION

C



301

CV65BSX-M2



185.4 (INSIDE)

B

A

A

8

7

6

THIRD ANGLE PROJECTION

3

2

1